

# CR394

## I/O Controller – Expander

Controller can function as an I/O Expander to controllers with a RS485 communication port or function Stand-Alone



### System functions

- Stand-alone or system integrated controller
- Expander to controllers
- Token- Card- Finger reader to output control
- Inputs (contacts, temperature, etc.) to output control
- Real Time Clock, time-out and counting control

### Reader and input/output capabilities

- 1 Card reader - Data/clock, Wiegand. 2 LEDs
- 16 configurable relay outputs (normally open, 3A)
- 32 supervised inputs (open and short circuit)
- Expansion I/O modules (1-wire)

### Communication options

- 2 Serial (RS485, WiFi/Blue Tooth, GSM)
- 2 Serial expansion modules (GSM / WiFi / BT / PLD / 20mA)
- GSM – SMS / Clip / APN / Cloud
- Reader Wiegand or Data/clock

### Diagnostic and programming tools

- Software watchdog and power dip reset
- 2 diagnostic LEDs
- 16 LEDs indicate relay statuses
- Configuration via RS485 LAN
- Configuration via hand programmer (RS485)

### Housing and dimensions

- ABS-flame retard moulded locked enclosure (integrated UPS)
- 110mm (H) x 300mm (W) x 57mm (D)
- SlideTie® cable entries
- Lid open detect (tamper)
- Optionally 2 PCBs within housing or with CR391/3

### Power supply and consumption

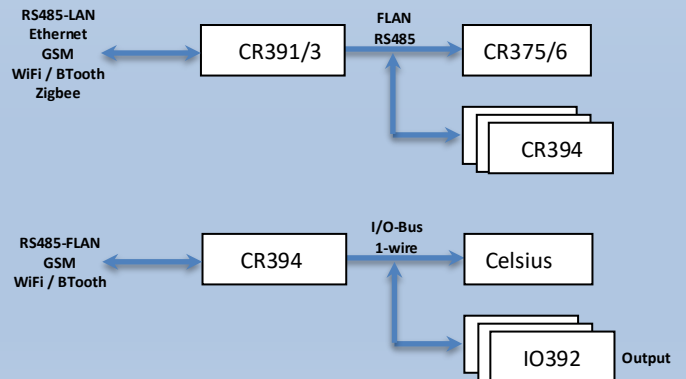
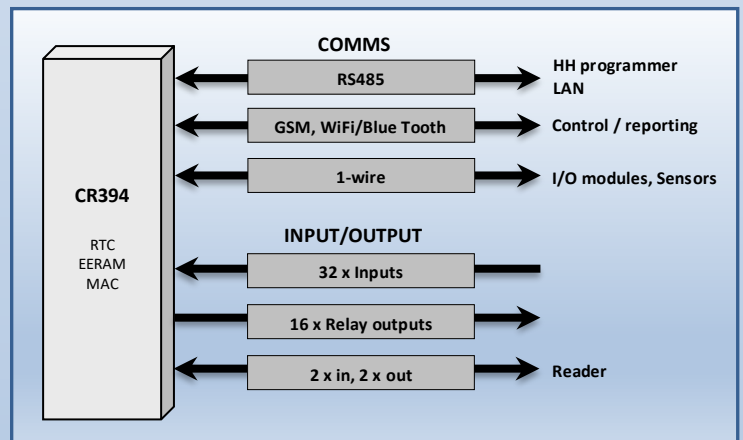
- 12 VDC power source
- Relay contact 30VDC / 220VAC, 3A

### Environmental conditions

- Storage Temperature: -20 to 65 Degrees C
- Operational Temperature: 0 to 45 Degrees C
- Humidity: 80% non-condensing

### Applications

- I/O expander to CR391/3
- Elevator control
- Geyser, Temperature control
- Intrusion - DENIS® does ABC (integrates with all I/O)
- Irrigation, Pool
- Lighting
- Locker management
- Vending I/O



SOFTWARE CONTROL SERVICES (PTY) LTD

475 King's Highway  
Lynnwood  
Pretoria, South Africa  
[sales@softconserv.com](mailto:sales@softconserv.com)  
t: +27 12 3487301

26B Woodbridge Bpark  
Koeberg Rd  
Milnerton, Cape Town  
[softcon@softcape.co.za](mailto:softcon@softcape.co.za)  
t: +27 21 551 5728