

CR395

I/O Controller Expander LAN Master Reader Converter



220VAC UPS



220VAC PSU



12VDC



12VDC

System functions

- Stand-alone or system integrated controller
- Expander to controllers
- Token- Card- Finger reader to output control
- Inputs (contacts, temperature, etc.) to output control
- Real Time Clock, time-out and counting control

Input/Output capabilities

- 2 configurable relay outputs (normally open, 3A)
- 4 supervised inputs (open and short circuit)
- 18 I/O
 - 2 Card readers - Data/clock, Wiegand. 2 LEDs
 - LCD
 - PinPad (4x4, Touch, Shared)
- Expansion I/O modules (1-wire)

Communication options

- 2 Serial (RS485, RS232, USB, Module)
 - Expansion modules (GSM / WiFi / BT / PLD / 20mA)
 - 1-Wire to Temperature sensors, Relay expander
- Readers - Wiegand or Data/clock

Diagnostic and programming tools

- Software watchdog and power dip reset
- 5 diagnostic LEDs
- Configuration via Comms, LCD/PinPad, Links on power-up

Housing and dimensions

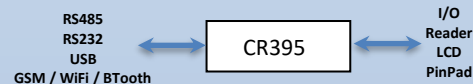
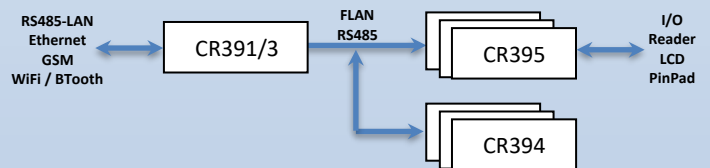
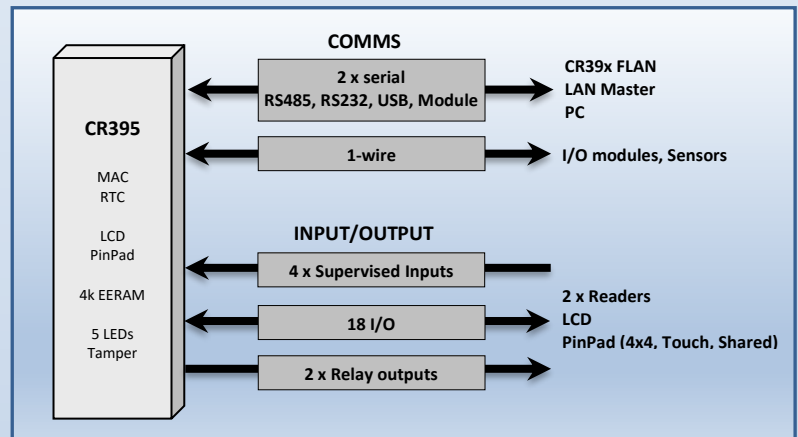
- Metal locked enclosure (integrated UPS)
 - 225mm (H) x 195mm (W) x 86mm (D)
- Plastic LCD/PinPad
 - 140mm (H) x 100mm (W) x 47mm (D)
- Plastic
 - 120mm (H) x 94mm (W) x 35mm (D)

Power supply and consumption

- 12 VDC power source
- Relay contact 30VDC / 220VAC, 3A

Environmental conditions

- Storage Temperature: -20 to 65 Degrees C
- Operational Temperature: 0 to 45 Degrees C
- Humidity: 80% non-condensing



Applications

Expander (replaces CR375)

- PinPad, LCD, Reader, I/O – door controller

Stand-Alone CntrP

- Programmable Logic CntrP (e.g. Timer or GSM on gate/geyser)
- Door control (50 cards)

LAN Master

- USB/RS232 with host to RS485
- Keys for host

Reader Converter (replaces COM364)

- Wiegand / Data-clock / Serial / USB
- Relay control (e.g. open barrier, cash draw)



www.softconserv.com

SOFTWARE CONTROL SERVICES (PTY) LTD

475 King's Highway
Lynnwood
Pretoria, South Africa
sales@softconserv.com
t: +27 12 3487301

26B Woodbridge Bpark
Koeberg Rd
Milnerton, Cape Town
softcape@mweb.co.za
t: +27 21 551 5728