

CR395HU

HH Programmer Token Converter



Enhanced HH programmer with Token decode / Take-on reader

System functions

- Programmer for Softcon Controllers
- **Token Decode**
- **Take-on Reader**

Input/Output capabilities

- 2 x 16 LCD display
- 3 x 4 PinPad (with function keys)

Communication options

- Serial RS485 to Controller
- **USB slave (type C) or Serial RS232**
- **Reader - Wiegand or Data/clock**
 - Internal screw or external clip connector

Diagnostic and programming tools

- Software watchdog and power dip reset
- Configuration via
 - Comms,
 - LCD/PinPad,
 - Links on power-up

Housing and dimensions

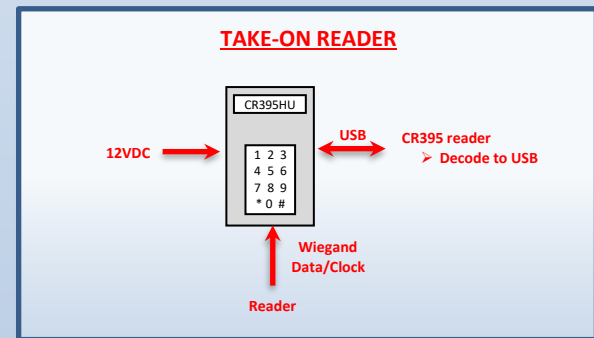
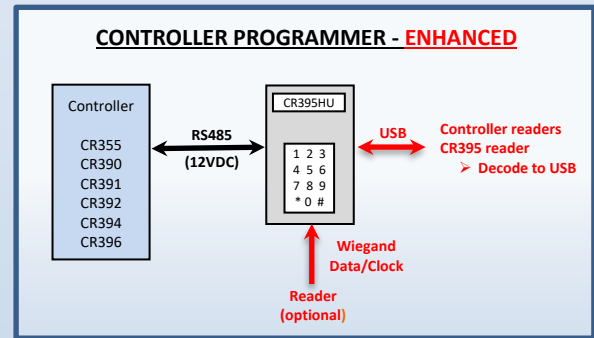
- Plastic LCD/PinPad
 - 1840mm (L) x 96mm (W) x 35mm (H)

Power supply and consumption

- 12 VDC (via controller or external option)
- 140mA (excludes reader)

Environmental conditions

- Storage Temperature: -20 to 65 Degrees C
- Operational Temperature: 0 to 45 Degrees C
- Humidity: 80% non-condensing



DECODE on PC – HyperTerminal

(9k6, 8-bit, no pParity)

```

b30.02_3753 0600 0000 0000 0000 0000 0000 0000 Fac* c00032s002n000000065337
b30.04_3753 0600 0000 0000 0000 0000 0000 0000 Fac c00032s002n000000065337
b30.06_4108 7533 0000 0000 0000 0000 0000 0000 ok c00000s000n000033750841
b30.20_3753 0600 0000 0000 0000 0000 0000 0000 Fac c00032s002n000000065337
b30.22_3753 0600 0000 0000 0000 0000 0000 0000 Fac c00032s002n000000065337
b30.34_3753 0600 0000 0000 0000 0000 0000 0000 Fac c00032s002n000000065337
b30.36_4108 7533 0000 0000 0000 0000 0000 0000 ok c00000s000n000033750841
65337
b32.00_7E6F FDF3 0000 0000 0000 0000 0000 0000 Fac* c00252s013n000000261881
b32.02_8118 2600 0000 0000 0000 0000 0000 0000 Fac c00252s000n000003669753
b32.04_5397 6603 0000 0000 0000 0000 0000 0000 Fac c00252s027n000000130809
b32.06_0908 1300 0000 0000 0000 0000 0000 0000 ok c00000s000n00007E6FFDF3
b32.20_F3FD 6F7E 0000 0000 0000 0000 0000 0000 ok c00000s000n002121268723
b32.22_2387 2621 2100 0000 0000 0000 0000 0000 Fac c00003s243n000000524025
b32.32_2540 5200 0000 0000 0000 0000 0000 0000 ok c00000s000n000007339507
b32.34_0795 3307 0000 0000 0000 0000 0000 0000 ok c00000s000n000007339507
261881
b42.00_57FF 7FFF FF80 0000 0000 0000 0000 0000 ok c00000s000n755897466879
b42.04_7968 4697 5875 0000 0000 0000 0000 0000 ParFac* c00087s254n000016777214
b42.02_1472 7716 0000 0000 0000 0000 0000 0000 ParFac c00087s254n000016777214
b42.06_1472 7716 0000 0000 0000 0000 0000 0000 ParFac c00087s254n000016777214
b42.20_1472 7716 0000 0000 0000 0000 0000 0000 ParFac c00087s254n000016777214
    
```



www.softconserv.com

SOFTWARE CONTROL SERVICES (PTY) LTD

5A Sunwood Park
379 Queens Cres, Lynnwood
Pretoria, South Africa
sales@softconserv.com
t: +27 12 3487301

26B Woodbridge BusPark
Koeberg Rd
Milnerton, Cape Town
softcape@mweb.co.za
t: +27 21 551 5728