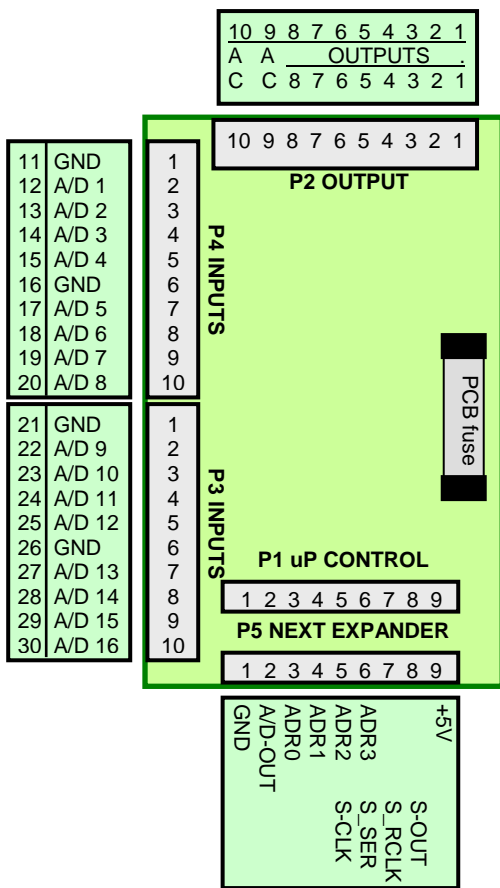


IO390 A/D, Out PCB CONNECTIONS Revision 01.02

16 multiplexed A/D inputs, 8 open collector outputs. PCBs installed within same housing as uP PCB.

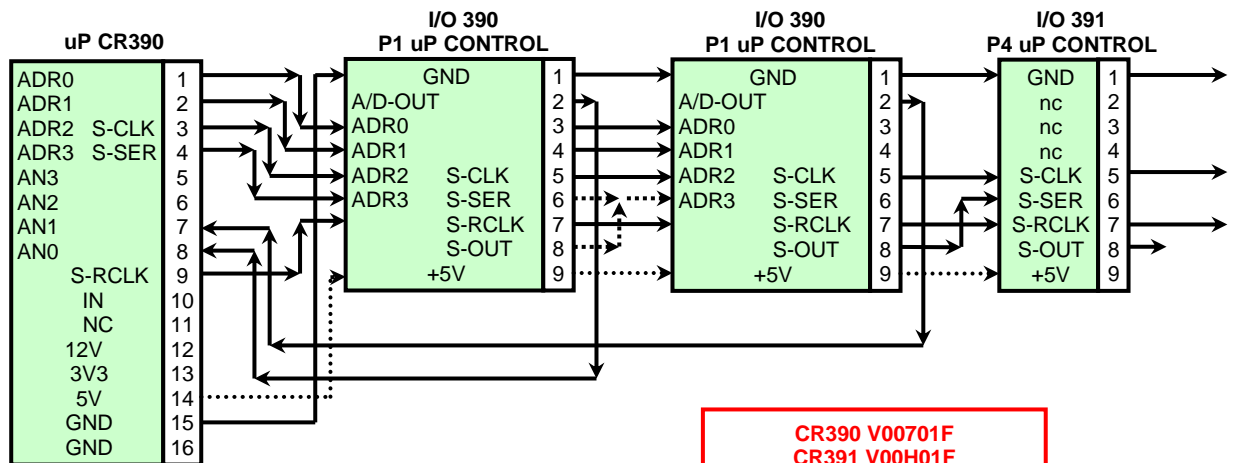


uP Control: Up to 4 IO390 for inputs. Up to 6 IO390/IO391 for outputs. PCBs parallel to uP. Loop S-OUT/S-SER if outputs used, else parallel. S-CLK and S-RCLK parallel.

Inputs:
 On CR390, set input expanders (1 to 4).
 On PC, input ports are:
 1st expander: 17 to 32.
 2nd expander: 33 to 48.
 3rd expander: 49 to 64.
 4th expander: 66 to 80.

Outputs: – If outputs, loop S-OUT to S-SER. On CR390, set output expanders (1 to 6)
 On PC, output ports are:
 1st expander: 15 to 22.
 2nd expander: 23 to 30.
 3rd expander: 31 to 38.
 4th expander: 39 to 46.
 5th expander: 47 to 54.
 6th expander: 55 to 62.

Power (one of the following):
 12VAC on P2-10, P2-9.
 12VDC on P2-10(+), P2-11(GND).
 5VDC via P1-9.
 P1-1 always connected.



CR390 V00701F
CR391 V00H01F
S-RCLK moved from uP 10 to 9